



 **smith&nephew**  
**DYONICS<sup>®</sup> 25**  
Fluid Management System

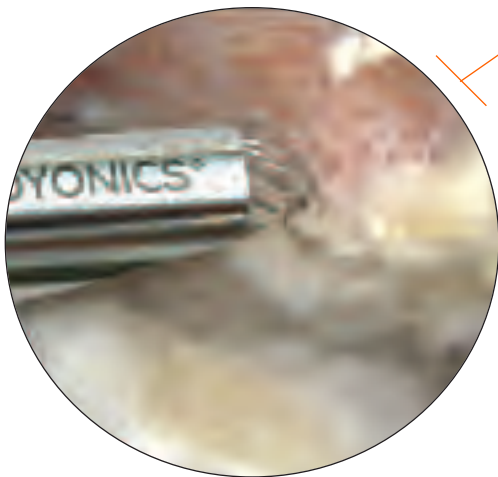
Clear and simple

The DYONICS<sup>◇</sup> 25 Fluid Management System is specially designed to give the surgeon a clear and consistent image in an easy to use, accurate and versatile system.

### Clear and simple

The DYONICS 25 Pump is specifically designed to maintain a clear image while providing the surgeon with very accurate in-joint pressures.

- Easy to use - No calibration required. Touch screen interface is user friendly
- A clear image - Unrivalled in-joint pressure accuracy.
- High performance - High flow to 2.5 l/min, outflow control and a Lavage function.
- Minimizes saline usage - Controls fluid outflow



*The DYONICS<sup>◇</sup> 25 Fluid Management System is designed to provide a clear view in all arthroscopic procedures.*

### Control

The optional remote control allows for control of the pressure and flow rates from within the sterile field.



### Integrated system

Ergonomically designed, light weight procedure cart

- Robust aluminum and stainless steel construction prevents rusting.
- 4 bag hangers minimize bag changeovers.
- UL listed for safety.
- Available both with and without integrated isolation transformer and power outlets.



### Convenient

Unique LEVELERT® II Fluid Sensor alarm will warn when the fluid bags are running low.

- Battery operated
- Compatible with fluid bags up to 5 liters.

### High flow performance

A line of cannulas specifically designed to maximize pump performance to provide the clearest image.

- Available in single and double valve designs.
- Unique color markings align the cannulas with the high flow settings on the DYONICS 25 System.

### Versatile

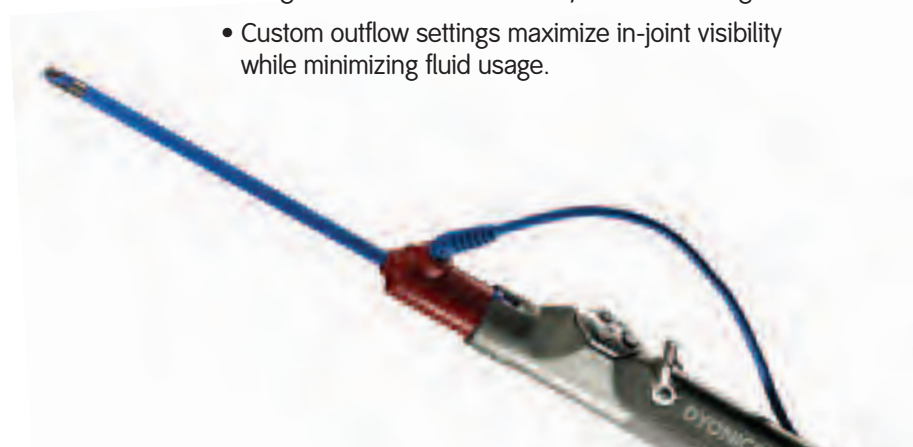
A complete range of tubing styles is available to suit all operative techniques.

- Inflow and outflow control
- Day tubing provides a cost effective solution for facilities with high case volumes.
- Multi-bag adapters allow the use of 4 fluid bags simultaneously.

### A powerful combination

Communication with the DYONICS Arthroscopic Resection System provides enhanced outflow management to maintain visibility when resecting tissue.

- Custom outflow settings maximize in-joint visibility while minimizing fluid usage.



# Ordering Information

## Pump Unit

72200207 DYONICS® 25 Control unit set (US only).  
Contact your International Smith & Nephew representative for DYONICS 25 pump systems available outside the US.

## Cannulas

72200829 High flow, double-valve, rotatable

72200830 High flow, single-valve, rotatable

## Tubing

7211004 Inflow only tube set

7211005 Inflow/outflow tube set, single suction

7211006 Inflow/outflow tube set, forked suction

7211007 Day tube set

7211008 Patient tube set

7204483 Multibag irrigation adaptor

## Accessories

72201017 Remote control

7211011 LEVELERT® II Fluid Level Sensor

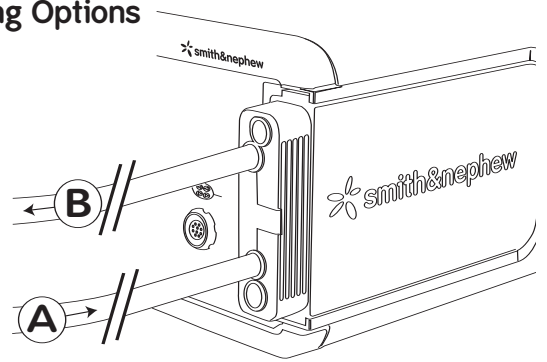
7211009 Luer-to-Colder adaptor for use with INTELIJET® Cannulae

7211014 Equipment cart without power outlets  
(North America only. Contact your International Smith & Nephew representative for carts available outside the US.)

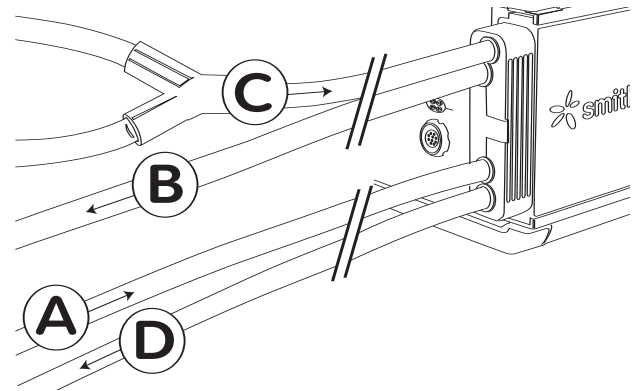
72200747 Equipment cart with electrical transformer and power outlets  
(North America only. Contact your International Smith & Nephew representative for carts available outside the US.)

72200888 Transformer upgrade kit

## Tubing Options

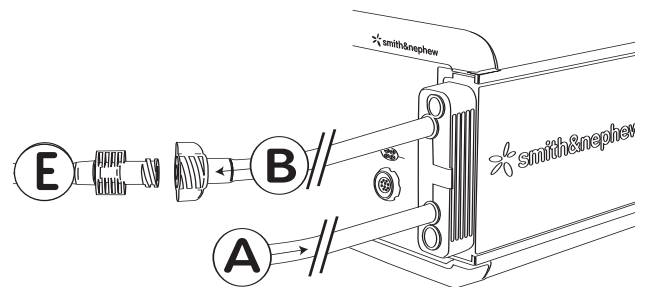


7211004 Inflow only tube set



7211006 Inflow/outflow tube set, forked suction

7211005 Inflow/outflow tube set, single suction  
(only has single tube at C)



7211007 Day and 7211008 Patient tubeset

- A Tubing from fluid bag
- B Inflow tube from cassette
- C Outflow return from joint to cassette
- D Outflow to waste
- E Patient inflow tube

## Endoscopy

Smith & Nephew, Inc.  
Andover, MA 01810  
USA

[www.smith-nephew.com](http://www.smith-nephew.com)

T 978 749 1000  
US Customer Service: 1 800 343 5717  
International Customer Service: +1 978 749 1140

®Trademark of Smith & Nephew, Registered US Patent & Trademark Office.  
All other trademarks acknowledged.  
©2006 Smith & Nephew. All rights reserved.  
Printed in USA. 08/06 10600082 Rev. C